



- Advanced infra-red touch technology
- 32 point touch
- Anti-Glare Glass
- Fanless design
- Integrated speakers
- Automatic brightness adjustment
- Low energy consumption
- Slim design

e-Screen ETX touch monitor

ETX-5510UHD black

- The ETX range displays offers razor sharp, high quality images in Ultra-HD
- The build-in Automatic Brightness Sensor guarantees an optimal picture under all light circumstances and significantly reduces energy consumption
- The anti-glare coated glass guarantees perfect readability and a comfortable touch experience
- The High Precision Advanced Infra-red touch screen technology can detect objects as small as 3mm. This allows for very precise drawing and annotating
- Multi-touch with up to 32 simultaneous touches for multi user requirements (Windows 7, 8, 8.1 and 10)
- Easy to set up, plug and play functionality for Windows
- The all metal housing with brushed aluminium front and rounded corners make the ETX screen the perfect solution for demanding environments such as schools
- Now with a special slot that can hold either a very powerful Android controller or an expansion slot that adds an extra HDMI 2.0 and USB port
- Easily operate and control the screen through the Touch On-Screen Display function. The most essential features can also be controlled with the control buttons on the left side of the screen
- The slot-in option allows for easy upgrading the Android controller over time

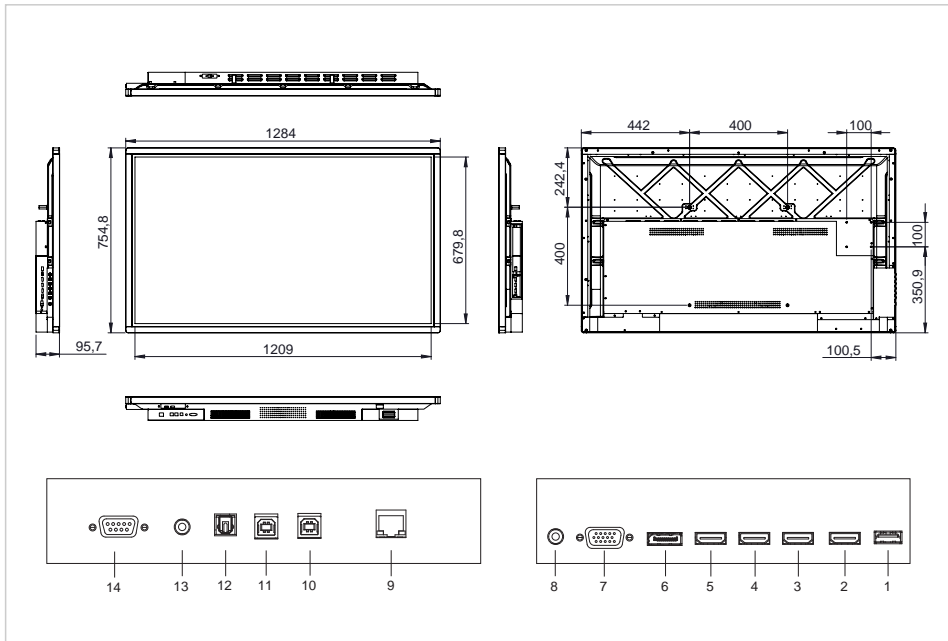
Recommended accessories

- Android slot-in unit RK-A10 (Art.No. 7-862312)

Art.No. **7-803110-55**

GTIN **8713797090889**





- | | |
|----|--------------|
| 1 | USB 2.0 |
| 2 | HDMI out |
| 3 | HDMI 1 |
| 4 | HDMI 2 |
| 5 | HDMI 3 (ARC) |
| 6 | DisplayPort |
| 7 | VGA (PC) |
| 8 | PC audio in |
| 9 | LAN |
| 10 | Touch USB 2 |
| 11 | Touch USB 1 |
| 12 | SPDIF |
| 13 | Audio out |
| 14 | RS232 |

Specifications

Article dimensions	1284 x 755 x 96 (mm)
Bezel width	27 mm
HD type	4K Ultra HD
Viewing angle	H: 178° / V: 178°
Display diagonal	55 "
Display brightness	350 cd/m ²
Contrast ratio typical / dynamic	1200 / 5000 (:1 / :1)
Response time	9 ms
Display number of colours	1.073 billion colours
Display resolution / refresh rate	3840 x 2160 / 60 (px / fps)
Ops slot	Yes
Fanless	Yes
Display control	Touch OSD, Keypad, RS-232C, IR remote controller
Automatic brightness adjustment	Yes
Speaker	2x10W
Mounting interface	600x400, M8
Power / Sleep / Standby	125 / - / 0.5 (W)
Durability / Lifespan	16/7 / 30.000 (Hours)
Input connectors	DisplayPort, HDMI (3x), VGA, PC audio-in
Output connectors	HDMI, Audio-out, SPDIF audio-out
Touch operation	Finger, Glove, Stylus
Number of touch points	32
Driver	Win: plug and play (optional driver) / Mac: driver
Package contents	e-Screen, Remote control unit, Quick setup guide, Power cable, HDMI cable, USB cable, VGA cable, Ergonomic stylus, USB flash drive
Supported OS	Android, Linux, Mac OSX, Windows 10, Windows 7, Windows 8.1
Product warranty	5 Years

Logistics

Quantity	1
Packing dimensions	230 x 1405 x 880 (mm)
Weight (gross/net)	43.00 kg / 31.00 kg

Product overview

Article number	GTIN / EAN	Article name	Minimum order quantity
7-803110-55	8713797090889	Legamaster e-Screen ETX touch monitor ETX-5510UHD black	1