



Movable LCD/LED TV's Bracket (ALB37-70DA)

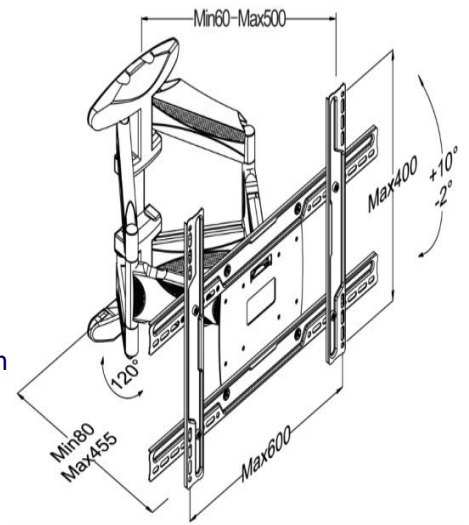


Features

- ◇ Movable Type
- ◇ Tilt Adjustable
- ◇ Cable Management
- ◇ Double Arm
- ◇ Easy Installation
- ◇ Cold Rolled Steel
- ◇ Black

Specification:

- Supports Flat Panels Size : 37-70"
- Profile : 60-500mm
- Vesa : 100*100 200*100 200*200 400*200 400*400 600*400mm
- Swivel : $\pm 60^\circ$ (Right & Left)
- Tilt : -2 +10 (Up & Down)
- Level of Adjustments: $\pm 3^\circ$
- Load Capacity: 40kg/88lbs
- Product Size : 640*430*46mm



Packing:

Quantity: 4Pc/ctn

Gross Weight: 26.5kg/Net Weight: 25kg

Dimension: 60.5*46*30cm

Country of Origin: People's Republic of China



Ambly Trading F.Z.E, P.O. BOX: 242095, AL Quoz-3, Dubai, UAE, TEL.: +97143211219,
Email: contact@amblytrading.com, Website: www.amblytrading.com